

# PARTS LIST

## CAUTION

- The parts identified by the  $\triangle$  symbol are important for the safety. Whenever replacing these parts, be sure to use specified ones to secure the safety.
- The parts not indicated in this Parts List and those which are filled with lines  $\text{—}$  in the Parts No. columns will not be supplied.
- P. W. Board Ass'y will not be supplied, but those which are filled with the Parts No. in the Parts No. columns will be supplied.

## ABBREVIATIONS OF RESISTORS, CAPACITORS AND TOLERANCES

RESISTORS		CAPACITORS	
C R	Carbon Resistor	C CAP.	Ceramic Capacitor
F R	Fusible Resistor	E CAP.	Electrolytic Capacitor
P R	Plate Resistor	M CAP.	Mylar Capacitor
V R	Variable Resistor	HV CAP.	High Voltage Capacitor
HV R	High Voltage Resistor	MF CAP.	Metalized Film Capacitor
MF R	Metal Film Resistor	MM CAP.	Metalized Mylar Capacitor
MG R	Metal Glazed Resistor	MP CAP.	Metalized Polystyrol Capacitor
MP R	Metal Plate Resistor	PP CAP.	Polypropylene Capacitor
OM R	Metal Oxide Film Resistor	PS CAP.	Polystyrol Capacitor
CMF R	Coating Metal Film Resistor	TF CAP.	Thin Film Capacitor
UNF R	Non-Flammable Resistor	MPP CAP.	Metalized Polypropylene Capacitor
CH V R	Chip Variable Resistor	TAN. CAP.	Tantalum Capacitor
CH MG R	Chip Metal Glazed Resistor	CH C CAP.	Chip Ceramic Capacitor
COMP. R	Composition Resistor	BP E CAP.	Bi-Polar Electrolytic Capacitor
LPTC R	Linear Positive Temperature Coefficient Resistor	CH AL E CAP.	Chip Aluminum Electrolytic Capacitor
		CH AL BP CAP.	Chip Aluminum Bi-Polar Capacitor
		CH TAN. E CAP.	Chip Tantalum Electrolytic Capacitor
		CH AL BP E CAP.	Chip Tantalum Bi-Polar Electrolytic Capacitor

TOLERANCES									
F	G	J	K	M	N	R	H	Z	P
±1%	±2%	±5%	±10%	±20%	±30%	+30% -10%	+50% -10%	+80% -20%	+100% -0%

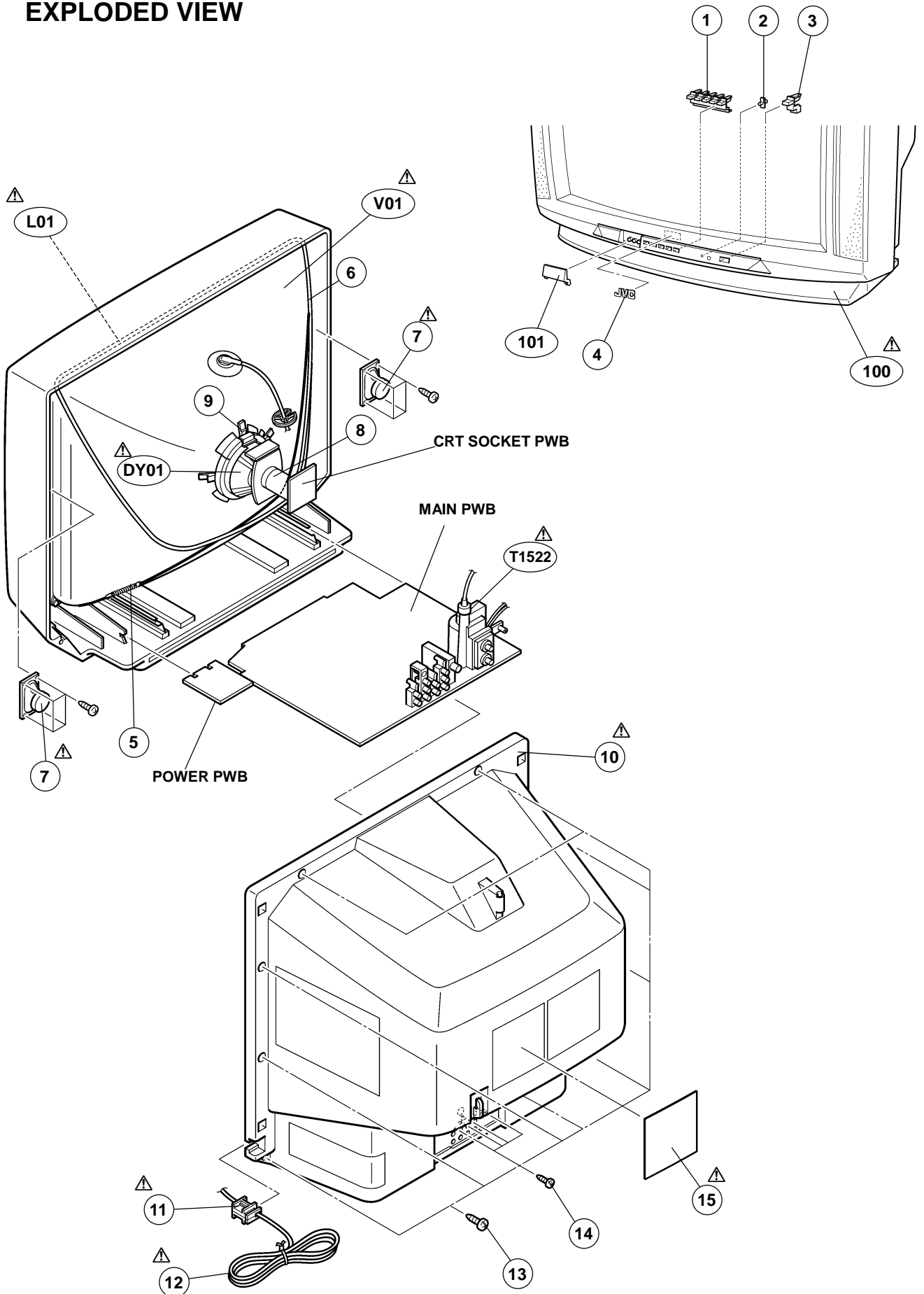
## CONTENTS

- EXPLODED VIEW PARTS LIST ..... 30
- EXPLODED VIEW ..... 31
- PRINTED WIRING BOARD PARTS LIST
  - MAIN PW BOARD ASS'Y [ SFD-1005A-M2 ] ..... 32
  - POWER PW BOARD ASS'Y [ SFD-9002A-M2 ] ..... 36
- REMOTE CONTROL UNIT PARTS LIST ..... 37
- PACKING ..... 38
- PACKING PARTS LIST ..... 38

## EXPLODED VIEW PARTS LIST

△ Ref.No.	Part No.	Part Name	Description
△ V01	A51KRE89X(DT)	PICTURE TUBE(C)	
△ L01	QQW0002-001	DEG.COIL	
△ DY01	QQD0011-001	DEF YOKE	
△ T1522	QQH0030-002	H.V.TRANSF.	
1	GQ30025-002A-A	CONTROL KNOB	
2	LC30191-004A-A	REMOCON LENS	
3	GQ30026-002A-A	POWER KNOB	
4	CM43094-009-H	JVC MARK	
5	A48457-4-S	SPRING	
6	CHGB0016-0H	BRAIDED WIRE	
△ 7	QAS0054-001	SPEAKER	(×2) SP01,02
8	CE42378-00B	P.C.MAGNET	
9	CE42153-00AJ1	WEDGE ASSY	(×4)
△ 10	GQ10013-001A-A	REAR COVER	
△ 11	LC20106-001D-A	CORD CLAMP	
△ 12	QMPD290-200-JC	POWER CORD	
13	QYSBSFG4016Z	TAPPING SCREW	(×9)
14	QYSBSB3010Z	TAPPING SCREW	(×4)
△ 15	LC31139-001A-A	RATING LABEL	
△ 100	GQ10020-001A-A	FRONT CABI.ASSY	Inc.No.101
101	GQ30024-002A-A	DOOR	

# EXPLODED VIEW



## AV-20D202/s

## PRINTED WIRING BOARD PARTS LIST

## MAIN P.W. BOARD ASS'Y (SFD-1005A-M2)

△ Symbol No.	Part No.	Part Name	Description
<b>RESISTOR</b>			
R1001	NRSA63J-473X	MG R	47kΩ 1/16W J
R1002	NRSA63J-0R0X	MG R	0.0Ω 1/16W J
R1003-04	NRSA63J-221X	MG R	220Ω 1/16W J
R1011	NRSA63J-820X	MG R	82Ω 1/16W J
R1012	NRSA63J-182X	MG R	1.8kΩ 1/16W J
R1013	NRSA63J-562X	MG R	5.6kΩ 1/16W J
R1014	QRE121J-101Y	C R	100Ω 1/2W J
R1015	NRSA63J-180X	MG R	18Ω 1/16W J
R1016	NRSA63J-270X	MG R	27Ω 1/16W J
R1018-19	NRSA63J-104X	MG R	100kΩ 1/16W J
R1020	NRSA63J-332X	MG R	3.3kΩ 1/16W J
R1021	NRSA63J-123X	MG R	12kΩ 1/16W J
R1022	NRSA63J-151X	MG R	150Ω 1/16W J
R1024	NRSA63J-102X	MG R	1kΩ 1/16W J
R1025	NRSA63J-271X	MG R	270Ω 1/16W J
R1026	NRSA63J-331X	MG R	330Ω 1/16W J
R1028	NRSA63J-561X	MG R	560Ω 1/16W J
R1035	NRSA63J-152X	MG R	1.5kΩ 1/16W J
R1041	NRSA63J-272X	MG R	2.7kΩ 1/16W J
R1042-43	NRSA63J-102X	MG R	1kΩ 1/16W J
R1047	NRSA63J-153X	MG R	15kΩ 1/16W J
R1048	NRSA63J-154X	MG R	150kΩ 1/16W J
R1101-02	NRSA63J-101X	MG R	100Ω 1/16W J
R1111	NRSA63J-105X	MG R	1MΩ 1/16W J
R1201	NRSA63J-333X	MG R	33kΩ 1/16W J
R1214	NRSA63J-750X	MG R	75Ω 1/16W J
R1215	NRSA63J-0R0X	MG R	0.0Ω 1/16W J
R1221	NRSA63J-102X	MG R	1kΩ 1/16W J
R1222	NRSA63J-222X	MG R	2.2kΩ 1/16W J
R1223	NRSA63J-153X	MG R	15kΩ 1/16W J
R1224	NRSA63J-333X	MG R	33kΩ 1/16W J
R1226	NRSA63J-102X	MG R	1kΩ 1/16W J
R1227	NRSA63J-181X	MG R	180Ω 1/16W J
R1228	NRSA63J-152X	MG R	1.5kΩ 1/16W J
R1229	NRSA63J-182X	MG R	1.8kΩ 1/16W J
R1232	NRSA63J-0R0X	MG R	0.0Ω 1/16W J
R1233	NRSA63J-474X	MG R	470kΩ 1/16W J
R1234-35	NRSA63J-103X	MG R	10kΩ 1/16W J
R1236	NRSA63J-821X	MG R	820Ω 1/16W J
R1239	NRSA63J-101X	MG R	100Ω 1/16W J
R1241	NRSA63J-101X	MG R	100Ω 1/16W J
R1242	NRSA63J-123X	MG R	12kΩ 1/16W J
R1243	NRSA63J-822X	MG R	8.2kΩ 1/16W J
R1261	NRSA63J-101X	MG R	100Ω 1/16W J
R1262	NRSA63J-222X	MG R	2.2kΩ 1/16W J
R1263	NRSA63J-471X	MG R	470Ω 1/16W J
R1265-66	NRSA63J-681X	MG R	680Ω 1/16W J
R1271-72	NRSA63J-682X	MG R	6.8kΩ 1/16W J
R1276	NRSA63J-102X	MG R	1kΩ 1/16W J
R1281	NRSA63J-182X	MG R	1.8kΩ 1/16W J
R1282	NRSA63J-682X	MG R	6.8kΩ 1/16W J
R1283	NRSA63J-681X	MG R	680Ω 1/16W J
R1285	NRSA63J-103X	MG R	10kΩ 1/16W J
R1286	NRSA63J-472X	MG R	4.7kΩ 1/16W J
R1287	NRSA63J-562X	MG R	5.6kΩ 1/16W J
R1288	NRSA63J-471X	MG R	470Ω 1/16W J
R1289	NRSA63J-154X	MG R	150kΩ 1/16W J
R1290	NRSA63J-103X	MG R	10kΩ 1/16W J
R1291	NRSA63J-561X	MG R	560Ω 1/16W J
R1301-03	NRSA63J-222X	MG R	2.2kΩ 1/16W J
R1304-06	NRSA63J-101X	MG R	100Ω 1/16W J
R1311	NRSA63J-0R0X	MG R	0.0Ω 1/16W J
R1312	NRSA63J-123X	MG R	12kΩ 1/16W J
R1313	NRSA63J-103X	MG R	10kΩ 1/16W J
R1314	NRSA63J-0R0X	MG R	0.0Ω 1/16W J
R1321	NRSA63J-101X	MG R	100Ω 1/16W J

△ Symbol No.	Part No.	Part Name	Description
<b>RESISTOR</b>			
R1322	NRSA63J-222X	MG R	2.2kΩ 1/16W J
R1323	NRSA63J-471X	MG R	470Ω 1/16W J
R1325	NRSA63J-102X	MG R	1kΩ 1/16W J
R1326	NRSA63J-820X	MG R	82Ω 1/16W J
R1331	NRSA63J-0R0X	MG R	0.0Ω 1/16W J
R1351-53	NRSA63J-151X	MG R	150Ω 1/16W J
R1354-56	NRSA63J-331X	MG R	330Ω 1/16W J
R1357-59	NRSA63J-101X	MG R	100Ω 1/16W J
R1360-62	QRZ0111-152	C R	1.5kΩ 1/2W K
R1363-65	QRL029J-123	OM R	12kΩ 2W J
R1366-68	NRSA63J-272X	MG R	2.7kΩ 1/16W J
R1371	NRSA63J-563X	MG R	56kΩ 1/16W J
R1372	NRSA63J-333X	MG R	33kΩ 1/16W J
R1373	NRSA63J-152X	MG R	1.5kΩ 1/16W J
R1421	NRSA63J-682X	MG R	6.8kΩ 1/16W J
R1423	NRSA63J-393X	MG R	39kΩ 1/16W J
R1424	NRSA63J-123X	MG R	12kΩ 1/16W J
R1426	NRSA63J-223X	MG R	22kΩ 1/16W J
R1427	QRT029J-2R2	MF R	2.2Ω 2W J
R1430	NRSA63J-0R0X	MG R	0.0Ω 1/16W J
R1434	QRE121J-271Y	C R	270Ω 1/2W J
R1435	QRE121J-102Y	C R	1kΩ 1/2W J
R1436	NRSA63J-0R0X	MG R	0.0Ω 1/16W J
R1439-40	NRSA63J-822X	MG R	8.2kΩ 1/16W J
R1441	NRSA63J-0R0X	MG R	0.0Ω 1/16W J
R1521	QRE121J-220Y	C R	22Ω 1/2W J
R1522	NRSA63J-391X	MG R	390Ω 1/16W J
R1523	NRSA63J-471X	MG R	470Ω 1/16W J
R1524	QRE121J-271Y	C R	270Ω 1/2W J
R1525	QRL029J-121	OM R	120Ω 2W J
R1526	QRL039J-152	OM R	1.5kΩ 3W J
R1541	QRT029J-1R8	MF R	1.8Ω 2W J
R1542	QRL029J-101	OM R	100Ω 2W J
R1543	QRT039J-1R0	MF R	1.0Ω 3W J
R1544	QRT039J-2R2	MF R	2.2Ω 3W J
R1546	QRL029J-220	OM R	22Ω 2W J
R1551	QRT029J-4R7	MF R	4.7Ω 2W J
R1552	QRL029J-820	OM R	82Ω 2W J
△ R1561	QRK126J-4R7X	C R	4.7Ω 1/2W J
△ R1562	NRZ0032-7151X	MF R	7.15kΩ 1/10W±0.5%
△ R1563	NRZ0032-3241X	MF R	3.24kΩ 1/10W±0.5%
R1564	NRSA63J-153X	MG R	15kΩ 1/16W J
R1565	NRSA63J-0R0X	MG R	0.0Ω 1/16W J
R1566	NRSA63J-333X	MG R	33kΩ 1/16W J
R1567	NRSA63J-392X	MG R	3.9kΩ 1/16W J
R1568	NRSA63J-223X	MG R	22kΩ 1/16W J
R1571	QRX01GJ-1R2	MF R	1.2Ω 1W J
△ R1581	QRJ146J-2R2X	C R	2.2Ω 1/4W J
R1582	QRL029J-223	OM R	22kΩ 2W J
R1583	QRE121J-333Y	C R	33kΩ 1/2W J
R1584	QRE121J-393Y	C R	39kΩ 1/2W J
R1585	QRE121J-103Y	C R	10kΩ 1/2W J
R1586	QRE121J-472Y	C R	4.7kΩ 1/2W J
R1615-16	NRSA63J-123X	MG R	12kΩ 1/16W J
R1617-18	NRSA63J-332X	MG R	3.3kΩ 1/16W J
R1619-20	NRSA63J-391X	MG R	390Ω 1/16W J
R1621-22	QRE121J-4R7Y	C R	4.7Ω 1/2W J
R1623	NRSA63J-0R0X	MG R	0.0Ω 1/16W J
R1625	NRSA63J-333X	MG R	33kΩ 1/16W J
R1627	NRSA63J-101X	MG R	100Ω 1/16W J
R1628-29	QRE121J-271Y	C R	270Ω 1/2W J
R1631	NRSA63J-223X	MG R	22kΩ 1/16W J
R1632	NRSA63J-682X	MG R	6.8kΩ 1/16W J
R1641-44	NRSA63J-102X	MG R	1kΩ 1/16W J
R1647-48	NRSA63J-102X	MG R	1kΩ 1/16W J
R1651	NRSA63J-102X	MG R	1kΩ 1/16W J

△ Symbol No.	Part No.	Part Name	Description
<b>RESISTOR</b>			
R1652	NRSA63J-153X	MG R	15kΩ 1/16W J
R1653	NRSA63J-472X	MG R	4.7kΩ 1/16W J
R1654	NRSA63J-333X	MG R	33kΩ 1/16W J
R1655	NRSA63J-332X	MG R	3.3kΩ 1/16W J
R1656	NRVA02D-152X	MF R	1.5kΩ 1/10W D
△ R1658	NRVA02D-153X	MF R	15kΩ 1/10W D
R1659	NRSA63J-563X	MG R	56kΩ 1/16W J
R1660	NRSA63J-562X	MG R	5.6kΩ 1/16W J
R1661	NRSA63J-473X	MG R	47kΩ 1/16W J
R1662-65	NRSA63J-123X	MG R	12kΩ 1/16W J
R1666-67	NRSA63J-562X	MG R	5.6kΩ 1/16W J
R1668	NRSA63J-473X	MG R	47kΩ 1/16W J
R1669-70	NRSA63J-471X	MG R	470Ω 1/16W J
R1673-74	NRSA63J-823X	MG R	82kΩ 1/16W J
R1675-76	NRSA63J-181X	MG R	180Ω 1/16W J
R1677	NRSA63J-0R0X	MG R	0.0Ω 1/16W J
R1678-81	NRSA63J-223X	MG R	22kΩ 1/16W J
R1682	NRSA63J-683X	MG R	68kΩ 1/16W J
R1683-84	NRSA63J-561X	MG R	560Ω 1/16W J
R1685-86	NRSA63J-0R0X	MG R	0.0Ω 1/16W J
R1691	NRSA63J-563X	MG R	56kΩ 1/16W J
R1701	NRSA63J-563X	MG R	56kΩ 1/16W J
R1702-04	NRSA63J-103X	MG R	10kΩ 1/16W J
R1705	NRSA63J-823X	MG R	82kΩ 1/16W J
R1706	NRSA63J-103X	MG R	10kΩ 1/16W J
R1707	NRSA63J-0R0X	MG R	0.0Ω 1/16W J
R1708	NRSA63J-103X	MG R	10kΩ 1/16W J
R1710	NRSA63J-102X	MG R	1kΩ 1/16W J
R1712	NRSA63J-0R0X	MG R	0.0Ω 1/16W J
R1713	NRSA63J-102X	MG R	1kΩ 1/16W J
R1714	NRSA63J-471X	MG R	470Ω 1/16W J
R1715	NRSA63J-105X	MG R	1MΩ 1/16W J
R1716	NRSA63J-154X	MG R	150kΩ 1/16W J
R1717	NRSA63J-563X	MG R	56kΩ 1/16W J
R1719	NRSA63J-102X	MG R	1kΩ 1/16W J
R1721-22	NRSA63J-0R0X	MG R	0.0Ω 1/16W J
R1723	NRSA63J-105X	MG R	1MΩ 1/16W J
R1724	NRSA63J-102X	MG R	1kΩ 1/16W J
R1725	NRSA63J-103X	MG R	10kΩ 1/16W J
R1726	NRSA63J-392X	MG R	3.9kΩ 1/16W J
R1727	NRSA63J-103X	MG R	10kΩ 1/16W J
R1728	NRSA63J-392X	MG R	3.9kΩ 1/16W J
R1729	NRSA63J-153X	MG R	15kΩ 1/16W J
R1730	NRSA63J-682X	MG R	6.8kΩ 1/16W J
R1732	NRSA63J-102X	MG R	1kΩ 1/16W J
R1733	NRSA63J-103X	MG R	10kΩ 1/16W J
R1734	NRSA63J-0R0X	MG R	0.0Ω 1/16W J
R1735	NRSA63J-102X	MG R	1kΩ 1/16W J
R1737	NRSA63J-472X	MG R	4.7kΩ 1/16W J
R1738	NRSA63J-152X	MG R	1.5kΩ 1/16W J
R1739	NRSA63J-472X	MG R	4.7kΩ 1/16W J
R1740	NRSA63J-152X	MG R	1.5kΩ 1/16W J
R1741	NRSA63J-472X	MG R	4.7kΩ 1/16W J
R1742	NRSA63J-152X	MG R	1.5kΩ 1/16W J
R1743	NRSA63J-103X	MG R	10kΩ 1/16W J
R1745-46	NRSA63J-101X	MG R	100Ω 1/16W J
R1747	NRSA63J-0R0X	MG R	0.0Ω 1/16W J
R1748	NRSA63J-153X	MG R	15kΩ 1/16W J
R1751	NRSA63J-103X	MG R	10kΩ 1/16W J
R1752	NRSA63J-472X	MG R	4.7kΩ 1/16W J
R1753	NRSA63J-153X	MG R	15kΩ 1/16W J
R1754	NRSA63J-103X	MG R	10kΩ 1/16W J
R1755	NRSA63J-472X	MG R	4.7kΩ 1/16W J
R1756	NRSA63J-153X	MG R	15kΩ 1/16W J
R1757-58	NRSA63J-122X	MG R	1.2kΩ 1/16W J
R1759	NRSA63J-0R0X	MG R	0.0Ω 1/16W J
R1765-66	NRSA63J-0R0X	MG R	0.0Ω 1/16W J
R1767	NRSA63J-474X	MG R	470kΩ 1/16W J
R1768	NRSA63J-473X	MG R	47kΩ 1/16W J
R1769	NRSA63J-102X	MG R	1kΩ 1/16W J
R1801	NRSA63J-680X	MG R	68Ω 1/16W J
R1802-03	NRSA63J-750X	MG R	75Ω 1/16W J

△ Symbol No.	Part No.	Part Name	Description
<b>RESISTOR</b>			
R1804	NRSA63J-101X	MG R	100Ω 1/16W J
R1805	NRSA63J-333X	MG R	33kΩ 1/16W J
R1806-07	NRSA63J-102X	MG R	1kΩ 1/16W J
R1808	NRSA63J-122X	MG R	1.2kΩ 1/16W J
R1809	NRSA63J-101X	MG R	100Ω 1/16W J
R1810	NRSA63J-333X	MG R	33kΩ 1/16W J
R1821	NRSA63J-562X	MG R	5.6kΩ 1/16W J
R1822	NRSA63J-223X	MG R	22kΩ 1/16W J
R1831-33	NRSA63J-750X	MG R	75Ω 1/16W J
R1851	NRSA63J-101X	MG R	100Ω 1/16W J
R1852	NRSA63J-562X	MG R	5.6kΩ 1/16W J
R1853	NRSA63J-0R0X	MG R	0.0Ω 1/16W J
R1854-57	NRSA63J-471X	MG R	470Ω 1/16W J
△ R1901	QRF054K-1R0	UNF R	1.0Ω 5W K
R1921	QRX029J-2R7	MF R	2.7Ω 2W J
△ R1923	QRJ146J-470X	UNF C R	470Ω 1/4W J
R1924	QRN141J-334Y	C R	330kΩ 1/4W J
R1925	QRN141J-123Y	C R	12kΩ 1/4W J
△ R1926	QRF154J-271	UNF R	270 Ω 15W J
R1954	QRE121J-102Y	C R	1kΩ 1/2W J
R1955	NRSA63J-223X	MG R	22kΩ 1/16W J
R1957	NRSA63J-222X	MG R	2.2kΩ 1/16W J
R1958	NRSA63J-103X	MG R	10kΩ 1/16W J

**CAPACITOR**

C1001	QETN1HM-475Z	E CAP.	4.7μF 50V M
C1002	QETN1HM-106Z	E CAP.	10μF 50V M
C1003	QETN1CM-227Z	E CAP.	220μF 16V M
C1005-06	NDC31HJ-5R0X	C CAP.	5.0pF 50V J
C1011-12	NCB31HK-103X	C CAP.	0.01μF 50V K
C1014	QETN1CM-107Z	E CAP.	100μF 16V M
C1015-16	NCB31HK-103X	C CAP.	0.01μF 50V K
C1021	QETN1HM-474Z	E CAP.	0.47μF 50V M
C1023	QETN1CM-107Z	E CAP.	100μF 16V M
C1024	NCB31HK-103X	C CAP.	0.01μF 50V K
C1025	NCB31HK-102X	C CAP.	1000pF 50V K
C1026	QETN1HM-474Z	E CAP.	0.47μF 50V M
C1027	NCB21HK-104X	CHIP CAP.	0.1μF 50V K
C1028	QETN1HM-106Z	E CAP.	10μF 50V M
C1030	NCB31HK-103X	C CAP.	0.01μF 50V K
C1034	NCB31HK-103X	C CAP.	0.01μF 50V K
C1037	NCB31HK-103X	C CAP.	0.01μF 50V K
C1038	QETN1CM-107Z	E CAP.	100μF 16V M
C1041-42	QETN1HM-106Z	E CAP.	10μF 50V M
C1043-44	NDC31HJ-470X	C CAP.	47pF 50V J
C1045	QETN1HM-106Z	E CAP.	10μF 50V M
C1046	NCB31HK-103X	C CAP.	0.01μF 50V K
C1047	NDC31HJ-330X	C CAP.	33pF 50V J
C1048	NCB31HK-103X	C CAP.	0.01μF 50V K
C1111	QETNOJM-108Z	E CAP.	1000μF 6.3V M
C1112	NCB31HK-103X	C CAP.	0.01μF 50V K
C1113	QETN1HM-474Z	E CAP.	0.47μF 50V M
C1114	QETN1HM-105Z	E CAP.	1μF 50V M
C1115	QFV71HJ-104Z	MF CAP.	0.1μF 50V J
C1116	NCB21HK-104X	CHIP CAP.	0.1μF 50V K
C1201	NDC31HJ-100X	C CAP.	10pF 50V J
C1202	QETN1HM-224Z	E CAP.	0.22μF 50V M
C1203	NCB31HK-222X	CHIP CAP.	2200pF 50V K
C1221	QENC1EM-106Z	BP E CAP.	10μF 25V M
C1222	NDC31HJ-470X	C CAP.	47pF 50V J
C1223	NDC31HJ-101X	C CAP.	100pF 50V J
C1224	NDC31HJ-181X	C CAP.	180pF 50V J
C1225	QETN1HM-474Z	E CAP.	0.47μF 50V M
C1228	NCB31HK-103X	C CAP.	0.01μF 50V K
C1233	NCB31HK-103X	C CAP.	0.01μF 50V K
C1234	QETN1HM-476Z	E CAP.	47μF 50V M
C1235-36	NCB31HK-103X	C CAP.	0.01μF 50V K
C1237	QETN1HM-106Z	E CAP.	10μF 50V M
C1238-39	NCB31HK-103X	C CAP.	0.01μF 50V K
C1240	NCB31HK-472X	C CAP.	4700pF 50V K
C1242-44	NCB31HK-103X	C CAP.	0.01μF 50V K
C1245	NDC31HJ-181X	C CAP.	180pF 50V J

△ Symbol No.	Part No.	Part Name	Description
<b>CAPACITOR</b>			
C1246	QETN1HM-106Z	E CAP.	10μF 50V M
C1247	NCB31HK-103X	C CAP.	0.01μF 50V K
C1249-52	NCB31HK-103X	C CAP.	0.01μF 50V K
C1253	QETN1HM-106Z	E CAP.	10μF 50V M
C1254	NCB31HK-103X	C CAP.	0.01μF 50V K
C1261	QETN1HM-476Z	E CAP.	47μF 50V M
C1262	NCB31HK-103X	C CAP.	0.01μF 50V K
C1265	NDC31HJ-390X	C CAP.	39pF 50V J
C1271	QETN1HM-106Z	E CAP.	10μF 50V M
C1281	QETN1HM-474Z	E CAP.	0.47μF 50V M
C1282	QETN1CM-227Z	E CAP.	220μF 16V M
C1283	NCB31HK-103X	C CAP.	0.01μF 50V K
C1284	QETN1HM-225Z	E CAP.	2.2μF 50V M
C1285	NCB31HK-272X	CHIP CAP.	2700pF 50V K
C1286	QETN1HM-106Z	E CAP.	10μF 50V M
C1287	QETN1CM-107Z	E CAP.	100μF 16V M
C1288	NCB31HK-103X	C CAP.	0.01μF 50V K
C1311	QETN1HM-106Z	E CAP.	10μF 50V M
C1312	QFV71HJ-154Z	MF CAP.	0.15μF 50V J
C1323	NDC31HJ-150X	C CAP.	15pF 50V J
C1333	NCB21HK-104X	CHIP CAP.	0.1μF 50V K
C1354-55	NDC31HJ-271X	CER. CAP.	270pF 50V J
C1356	NDC31HJ-331X	C CAP.	330pF 50V J
C1357	QETN1CM-107Z	E CAP.	100μF 16V M
△ C1371	NCB31HK-103X	C CAP.	0.01μF 50V K
△ C1382	QCZ0121-102	C CAP.	1000pF 3kV Z
△ C1391	QETN1CM-107Z	E CAP.	100μF 16V M
C1392	NCB31HK-103X	C CAP.	0.01μF 50V K
C1393-95	NCB21HK-104X	CHIP CAP.	0.1μF 50V K
C1421	NCB31HK-102X	C CAP.	1000pF 50V K
C1422	NCB31HK-472X	C CAP.	4700pF 50V K
C1424	QETN1VM-107Z	E CAP.	100μF 35V M
C1425	QETN1VM-477Z	E CAP.	470μF 35V M
C1427	QETN1HM-225Z	E CAP.	2.2μF 50V M
C1428	QETN1EM-228	E CAP.	2200μF 25V M
C1431	QFLC1HJ-563Z	M CAP.	0.056μF 50V J
C1435	NCB21HK-223X	C CAP.	0.022μF 50V K
C1437	QETN1HM-106Z	E CAP.	10μF 50V M
C1521	NCB31HK-332X	CHIP CAP.	3300pF 50V K
C1522	NCB31HK-822X	CHIP CAP.	8200pF 50V K
△ C1523	QEM61HK-105Z	E CAP.	1μF 50V K
△ C1524	QFZ0198-79Z	MPP CAP.	7900pF1.5kVH ±3%
△ C1525	QEZ0203-107	E CAP.	100μF 160V M
△ C1526	QFZ0197-534	MPP CAP.	0.53μF 250V J
C1543	QETN1VM-477Z	E CAP.	470μF 35V M
C1545	QETN1CM-227Z	E CAP.	220μF 16V M
C1546	QETN1CM-477Z	E CAP.	470μF 16V M
C1548	QETN1CM-227Z	E CAP.	220μF 16V M
C1551	QETN1CM-227Z	E CAP.	220μF 16V M
C1552	QETN1CM-107Z	E CAP.	100μF 16V M
C1561	QETN1HM-106Z	E CAP.	10μF 50V M
C1562	QETN1HM-475Z	E CAP.	4.7μF 50V M
C1563	NCB31HK-103X	C CAP.	0.01μF 50V K
C1581	QETN2EM-106Z	E CAP.	10μF 250V M
C1582	NCB21HK-473X	C CAP.	0.047μF 50V K
C1584	QFLC1HJ-473Z	M CAP.	0.047μF 50V J
C1611-12	QETN1HM-105Z	E CAP.	1μF 50V M
C1614	QETN1EM-227Z	E CAP.	220μF 25V M
C1615	NRSA63J-0ROX	MG R	0.0Ω 1/16W J
C1616	QENC1HM-474Z	BP E CAP.	0.47μF 50V M
C1617	QETN1EM-476Z	E CAP.	47μF 25V M
C1618	QETN1CM-107Z	E CAP.	100μF 16V M
C1619	QETN1CM-477Z	E CAP.	470μF 16V M
C1620	NCB21HK-104X	CHIP CAP.	0.1μF 50V K
C1621	NRSA63J-0ROX	MG R	0.0Ω 1/16W J
C1622	QENC1HM-474Z	BP E CAP.	0.47μF 50V M
C1623	QETN1EM-476Z	E CAP.	47μF 25V M
C1624	QETN1CM-107Z	E CAP.	100μF 16V M
C1625	QETN1CM-477Z	E CAP.	470μF 16V M
C1626	NCB21HK-104X	CHIP CAP.	0.1μF 50V K
C1627	QETN1CM-107Z	E CAP.	100μF 16V M
C1641-42	QETN1HM-106Z	E CAP.	10μF 50V M

△ Symbol No.	Part No.	Part Name	Description
<b>CAPACITOR</b>			
C1645-48	QETN1HM-106Z	E CAP.	10μF 50V M
C1651	NCB31HK-103X	C CAP.	0.01μF 50V K
C1652	QETN1CM-107Z	E CAP.	100μF 16V M
C1653	QETN1EM-476Z	E CAP.	47μF 25V M
C1654	NCB21HK-104X	CHIP CAP.	0.1μF 50V K
C1655	QENC1HM-475Z	BP E CAP.	4.7μF 50V M
C1656	QENC1HM-105Z	BP E CAP.	1μF 50V M
C1657	QETN1HM-225Z	E CAP.	2.2μF 50V M
C1658	NCB21HK-473X	C CAP.	0.047μF 50V K
C1659	QETN1HM-474Z	E CAP.	0.47μF 50V M
C1660-61	NCB21HK-104X	CHIP CAP.	0.1μF 50V K
C1662	QBTC1CK-335Z	TAN. CAP.	3.3μF 16V K
C1663	QETN1HM-105Z	E CAP.	1μF 50V M
C1664	QBTC1CK-106Z	TAN. CAP.	10μF 16V K
C1665-66	QETN1HM-105Z	E CAP.	1μF 50V M
C1667	QETN1HM-336Z	E CAP.	33μF 50V M
C1668	QETN1HM-105Z	E CAP.	1μF 50V M
C1669-70	QENC1HM-105Z	BP E CAP.	1μF 50V M
C1671	QETN1HM-225Z	E CAP.	2.2μF 50V M
C1672	NCB31HK-222X	CHIP CAP.	2200pF 50V K
C1673	NCB21HK-104X	CHIP CAP.	0.1μF 50V K
C1674	QETN1HM-225Z	E CAP.	2.2μF 50V M
C1675	NCB31HK-222X	CHIP CAP.	2200pF 50V K
C1676	NCB21HK-104X	CHIP CAP.	0.1μF 50V K
C1679	QETN1HM-105Z	E CAP.	1μF 50V M
C1680	QETN1EM-476Z	E CAP.	47μF 25V M
△ C1682-83	QETN1HM-474Z	E CAP.	0.47μF 50V M
C1701	NDC31HJ-560X	C CAP.	56pF 50V J
C1703	NCB31HK-102X	C CAP.	1000pF 50V K
C1704	NCB31HK-103X	C CAP.	0.01μF 50V K
C1705	NDC31HJ-151X	C CAP.	150pF 50V J
C1706	NCB21HK-104X	CHIP CAP.	0.1μF 50V K
C1707	QETN1HM-105Z	E CAP.	1μF 50V M
C1708	NCS21HJ-221X	C CAP.	220pF 50V J
C1709	NCS21HJ-102X	C CAP.	1000pF 50V J
C1710	NDC31HJ-681X	C CAP.	68pF 50V J
C1711	QETN1HM-474Z	E CAP.	0.47μF 50V M
C1712	NCB31HK-102X	C CAP.	1000pF 50V K
C1714	NCB31HK-103X	C CAP.	0.01μF 50V K
C1716	QETN1EM-476Z	E CAP.	47μF 25V M
C1717	NCB21HK-104X	CHIP CAP.	0.1μF 50V K
C1718	NCB31HK-103X	C CAP.	0.01μF 50V K
C1719-20	QETN1CM-107Z	E CAP.	100μF 16V M
C1721	NCB21HK-104X	CHIP CAP.	0.1μF 50V K
△ C1722-23	NDC31HJ-580X	C CAP.	5.0pF 50V J
C1724	NCB31HK-103X	C CAP.	0.01μF 50V K
C1725	QETN1AM-227Z	E CAP.	220μF 10V M
C1751	QETN1EM-476Z	E CAP.	47μF 25V M
C1801-02	QETN1HM-106Z	E CAP.	10μF 50V M
C1803	QETN1HM-105Z	E CAP.	1μF 50V M
C1804-05	QETN1HM-106Z	E CAP.	10μF 50V M
C1808	QETN1EM-476Z	E CAP.	47μF 25V M
C1809-10	QETN1HM-106Z	E CAP.	10μF 50V M
△ C1831-33	NCB21HK-104X	CHIP CAP.	0.1μF 50V K
△ C1911	QCZ9054-102	C CAP.	1000pFAC250V Z
△ C1912	QCZ9054-102	C CAP.	1000pFAC250V Z
△ C1913	QCZ9054-102	C CAP.	1000pFAC250V Z
△ C1914	QEZ0169-337	E CAP.	330μF 200V M
C1921	QHR2CM-335Z	E CAP.	3.3μF 160V M
C1922	QHQ2CM-336	E CAP.	33μF 160V M
C1953	QETN1EM-107Z	E CAP.	100μF 25V M
C1954	NCB21HK-473X	C CAP.	0.047μF 50V K
C1956	QETN1HM-106Z	E CAP.	10μF 50V M
C1959	QETN1HM-336Z	E CAP.	33μF 50V M
△ C1981	QCZ9074-103	C CAP.	0.01μFAC250V M
△ C1982	QCZ9074-103	C CAP.	0.01μFAC250V M

**TRANSFORMER**

△ T1521	CE41106-00CJ1	DRIVE TRANSF.
△ T1522	QQH0030-002	H. V. TRANSF.

△ Symbol No.	Part No.	Part Name	Description
<b>COIL</b>			
L1012	QQL2014-R39	PEAKING COIL	
L1022	QQL244K-220Z	PEAKING COIL	
L1042	QQL244K-220Z	PEAKING COIL	
L1221	QQL244K-4R7Z	COIL	4.7μH K
L1235	QQL244K-4R7Z	COIL	4.7μH K
L1262	QQL244K-150Z	COIL	15μH K
L1321	QQL244K-150Z	COIL	15μH K
L1381	QQL03BJ-390Z	COIL	39μH J
<b>DIODE</b>			
D1001	MTZJ33A-T2	ZENER DIODE	
D1021	MTZJ9.1C-T2	ZENER DIODE	
D1301-06	1S5133-T2	SI.DIODE	
D1311	MTZJ9.1C-T2	ZENER DIODE	
D1312	1S5133-T2	SI.DIODE	
D1421	1N4003-T2	SI.DIODE	
D1422	MTZJ75-T2	ZENER DIODE	
D1423	1S5133-T2	SI.DIODE	
△ D1541	RGP10J-5025-T3	SI.DIODE	
D1542	1SR35-400A-T2	SI.DIODE	
△ D1543	RGP10J-5025-T3	SI.DIODE	
△ D1544	RGP10J-5025-T3	SI.DIODE	
D1561	1S581-T2	SI.DIODE	
△ D1562	MA4068N/Z1/-T2	ZENER DIODE	
D1563	1S5133-T2	SI.DIODE	
D1581	RH15-T3	SI.DIODE	
△ D1582	RGP10J-5025-T3	SI.DIODE	
D1583	MTZJ9.1C-T2	ZENER DIODE	
D1602	1S5133-T2	SI.DIODE	
D1631-34	MTZJ9.1C-T2	ZENER DIODE	
D1636-37	MTZJ9.1C-T2	ZENER DIODE	
D1659-60	MTZJ9.1C-T2	ZENER DIODE	
D1704	1S5133-T2	SI.DIODE	
D1717-18	MTZJ9.1C-T2	ZENER DIODE	
D1751	SLR-342VR3F	L. E. D.	
D1801-02	MTZJ9.1C-T2	ZENER DIODE	
D1804-05	MTZJ9.1C-T2	ZENER DIODE	
D1807	MTZJ9.1C-T2	ZENER DIODE	
D1831-33	MTZJ5.6A-T2	ZENER DIODE	
△ D1911	D3S860	BRIDGE DIODE	
D1953	1SR35-400A-T2	SI.DIODE	
D1957	1S5133-T2	SI.DIODE	
<b>TRANSISTOR</b>			
Q1011	2SC5083/L-P/-T	SI. TRANSISTOR	
Q1023	2SA1037AK/QR/-X	SI. TRANSISTOR	
Q1025	2SA1037AK/QR/-X	SI. TRANSISTOR	
Q1041	2SA1037AK/QR/-X	SI. TRANSISTOR	
Q1221-22	2SC2412K/QR/-X	SI. TRANSISTOR	
Q1261-62	2SC2412K/QR/-X	SI. TRANSISTOR	
Q1272	2SC2412K/QR/-X	SI. TRANSISTOR	
Q1281	DTC124EKA-X	DIGI. TRANSISTOR	
Q1311	2SC2412K/QR/-X	SI. TRANSISTOR	
Q1321-22	2SC2412K/QR/-X	SI. TRANSISTOR	
Q1351-53	2SC4544-LB	SI. TRANSISTOR	
Q1371	2SC2412K/QR/-X	SI. TRANSISTOR	
Q1521	2SC2655/Y/-T	SI. TRANSISTOR	
△ Q1522	2SD1878-YD	SI. TRANSISTOR	H. OUT
△ Q1561	2SC2785/JH/-T	SI. TRANSISTOR	
Q1562	2SA933AS/QR/-T	SI. TRANSISTOR	
Q1602	DTC323TK-X	DIGI. TRANSISTOR	
Q1631-32	DTC124EKA-X	DIGI. TRANSISTOR	
Q1651-54	2SC2412K/QR/-X	SI. TRANSISTOR	
Q1655	2SA1037AK/QR/-X	SI. TRANSISTOR	
Q1701-03	2SC2412K/QR/-X	SI. TRANSISTOR	
Q1704	DTC323TK-X	DIGI. TRANSISTOR	
Q1801	2SC2412K/QR/-X	SI. TRANSISTOR	
Q1802	2SA1037AK/QR/-X	SI. TRANSISTOR	
Q1821-22	DTC124EKA-X	DIGI. TRANSISTOR	
Q1851	2SC2412K/QR/-X	SI. TRANSISTOR	
Q1952	2SA966/OY/-T	SI. TRANSISTOR	
Q1953	2SC2412K/QR/-X	SI. TRANSISTOR	

△ Symbol No.	Part No.	Part Name	Description
<b>IC</b>			
IC1101	TB1253AN	I.C. (M)	
IC1201	TC90A53N	I.C. (DIGI-MOS)	
△ IC1421	LA7840	I.C. (MONO-ANA)	
IC1541	AN7809F	I.C. (MONO-ANA)	
IC1551	AN7805F	I.C. (MONO-ANA)	
△ IC1602	LA4446	I.C. (MONO-ANA)	
IC1631	TC4066BP/N/	I.C. (DIGI-MOS)	
IC1651	UPC1851BCU	I.C. (MONO-ANA)	
IC1652	BA15218N	I.C. (MONO-ANA)	
IC1701	M37272MA-3145P	I.C. (MICRO-COMP)	
IC1702	AT24C02-27230	I.C.	(SERVICE)
IC1703	L78LR05E-MA	I.C. (MONO-ANA)	
IC1751	GP1U281Q	IFR DETECT UNIT	
IC1801	BA7649A	I.C. (MONO-ANA)	
IC1821	TC4066BP/N/	I.C. (DIGI-MOS)	
△ IC1921	STR30134	I.C. (H)	
IC1951	AN7809F	I.C. (MONO-ANA)	
<b>OTHERS</b>			
CF1001	LC30190-001B-A	L. E. D. HOLDER	
CF1021	QAX0349-001	CERAMIC FILTER	
CF1041	QAX0639-001Z	CERAMIC FILTER	
CF1701	QAX0642-001Z	CERAMIC FILTER	
CF1702	CST8.00MTW	CER. RESONATOR	
CL1001	QAX0428-001	CER. RESONATOR	
CL1002	QZW0028-002	WIRE CLAMP	
△ F1902	QZW0028-001	WIRE CLAMP	
	QMF0007-1R25J1	FUSE	1.25A
△ FC1902	CEMG002-001Z	FUSE CLIP	(x2)
△ FR1720	QRZ9017-820	F. R	82 Ω 1/4W J
J1001	QNZ0454-001	PIN JACK	
J1002	QNN0348-001	PIN JACK	
J1003	QNN0349-002	PIN JACK	
J1004	QNN0348-001	PIN JACK	
J1005	QNN0281-003	PIN JACK	
J1006	QNN0281-002	PIN JACK	
J1007	QNN0282-001	PIN JACK	
J1602	QNS0155-001	JACK	
K1421	QQR0582-001Z	BEADS CORE	
S1421	QSL4A13-C02	LEVER SWITCH	V. CENTER SW
S1751	QSW0619-003Z	PUSH SWITCH	MENU
S1752	QSW0619-003Z	PUSH SWITCH	CH-
S1753	QSW0619-003Z	PUSH SWITCH	CH+
S1754	QSW0619-003Z	PUSH SWITCH	VOL-
S1755	QSW0619-003Z	PUSH SWITCH	VOL+
S1756	QSW0619-003Z	PUSH SWITCH	POWER
SF1011	QAX0324-002	SAW FILTER	
△ SK1351	CE42446-001	C. R. T. SOCKET	
△ TU1001	QAU0229-001	TUNER	
X1201	CE40668-001Z	CRYSTAL	

**POWER P.W. BOARD ASS'Y (SFD-9002A-M2)**

△ Symbol No.	Part No.	Part Name	Description
<b>RESISTOR</b>			
R9952	QRE121J-222Y	C R	2.2kΩ 1/2W J
R9953	QRE121J-122Y	C R	1.2kΩ 1/2W J
R9956	QRE121J-101Y	C R	100Ω 1/2W J
△ R9981	QRZ9041-275	C R	2.7MΩ 1/2W K

<b>CAPACITOR</b>			
△ C9901	QFZ9040-104	MF CAP.	0.1μF AC275V M
△ C9902	QFZ9040-473	MF CAP.	0.047μFAC275V M
C9951	QETN1EM-227Z	E CAP.	220μF 25V M
C9958	QETN1EM-107Z	E CAP.	100μF 25V M

<b>TRANSFORMER</b>			
△ T9901	QQT0198-001	POWER TRANSF.	

<b>DIODE</b>			
D9941-44	1SR35-400A-T2	SI DIODE	
D9951	MTZJ12C-T2	ZENER DIODE	
D9954	QRE141J-0R0Y	C R	0.0Ω 1/4W J
D9958	1S5133-T2	SI DIODE	

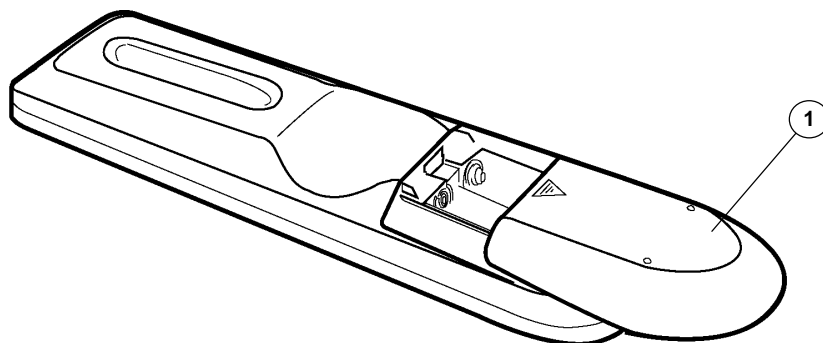
<b>TRANSISTOR</b>			
Q9951	2SC1740S/QR/-T	SI TRANSISTOR	

<b>OTHERS</b>			
△ F9901	QMF0007-6R3J1	FUSE	6.3A
△ FC9901	CEMG002-001Z	FUSE CLIP	(×2)
△ LF9901	QQR0864-002	LINE FILTER	
△ RY9901	QSK0083-001	RELAY	
△ TH9901	CEKP007-002	P.THERMISTOR	
△ VA9901	ERZV10V621CS	VARIATOR	

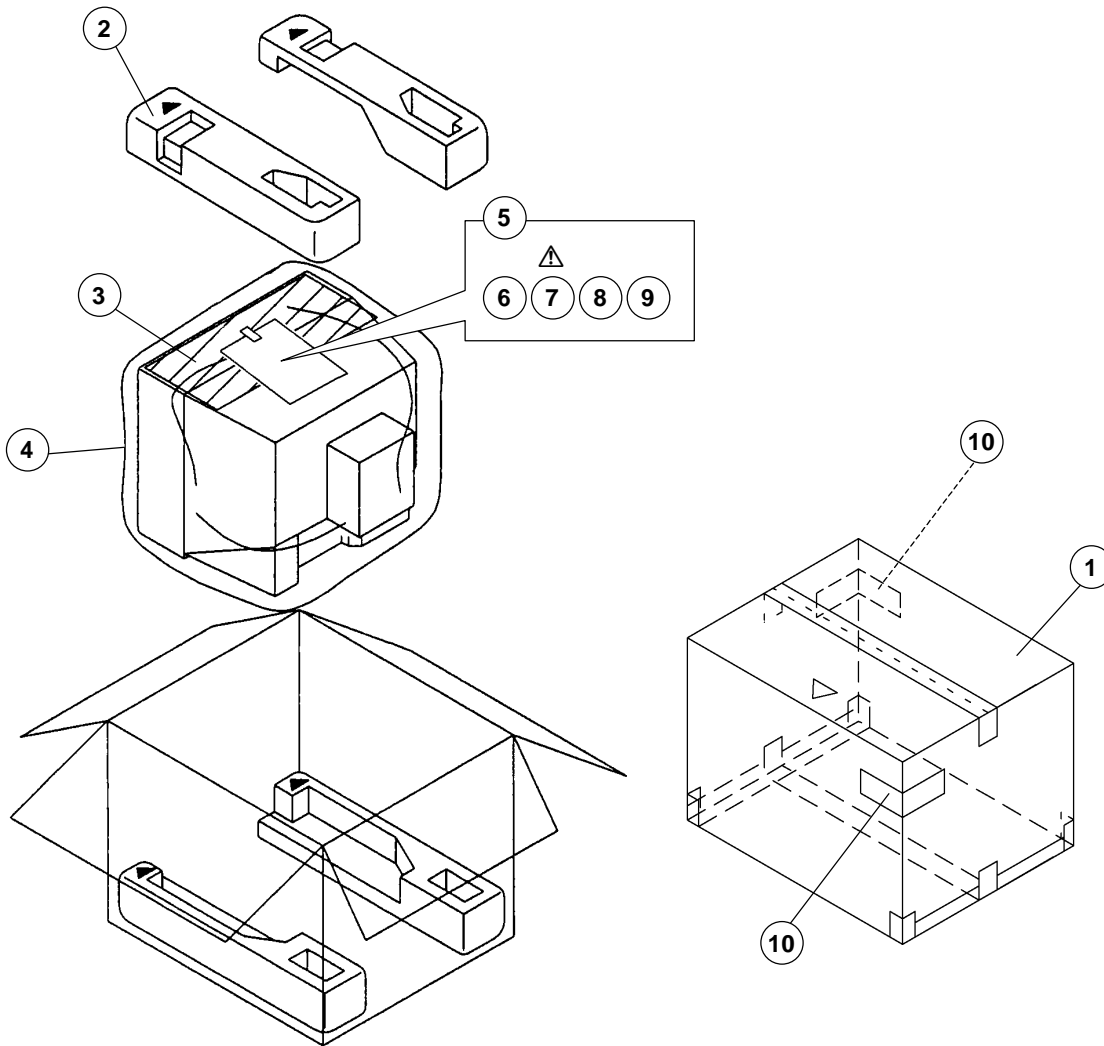


## REMOTE CONTROL UNIT PARTS LIST (RM-C304-1A)

△ Ref.No.	Part No.	Part Name	Description
1	UR52EC1286A	BATTERY COVER	(RM-C304-1A)



# PACKING



## PACKING PARTS LIST

△ Ref.No.	Part No.	Part Name	Description
1	GQ10009-006A-A	PACKING CASE	4pcs in 1set
2	GQ10021-001A-A	CUSHION ASSY	
3	CP30055-001-A	TOP COVER	
4	CP30056-009-A	POLY BAG	
5	QPA02503505	POLY BAG	2pcs in 1set
6	RM-C304-1A	REMOCON UNIT	
△ 7	LCT0924-001A-A	INST.BOOK	
8	BT-52004-1Q	WARRANTY CARD	
9	BT-51020-1Q	REGISTER CARD	2pcs in 1set
10	CM36616-001-A	CORNER LABEL	